

**PART# 76-2065B**



**TOOLS NEEDED**

19mm SOCKET  
3/4" SOCKET  
9/16" SOCKET  
18 mm SOCKET  
RATCHET  
TORQUE WRENCH  
SMALL SCREWDRIVER

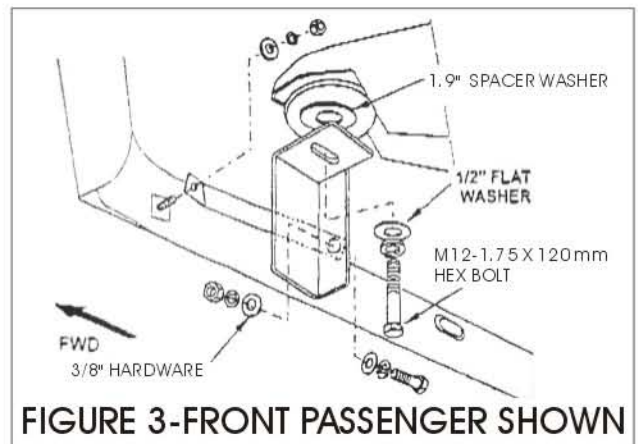
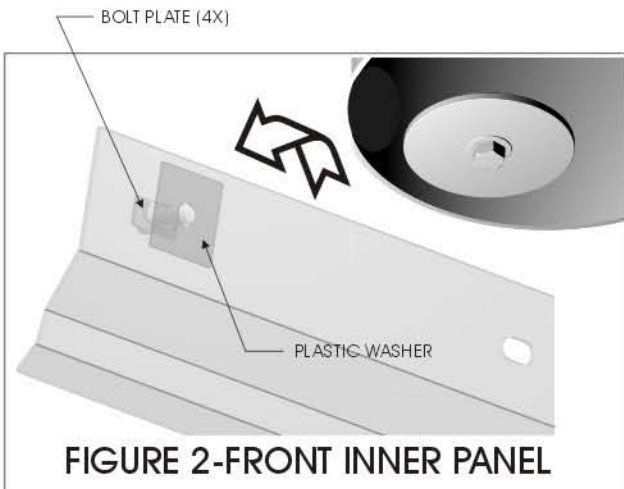
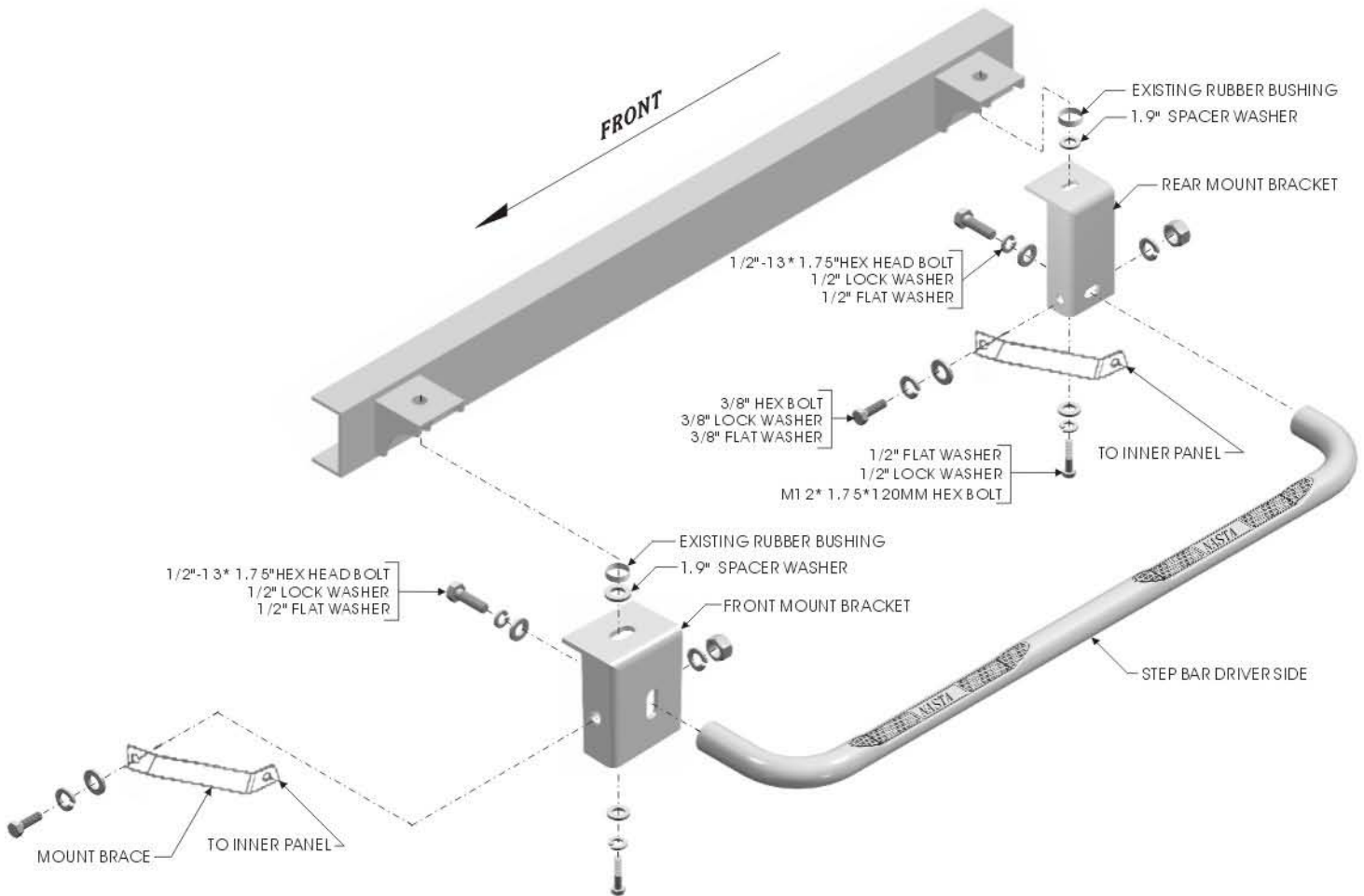
QTY	DESCRIPTION
2	STEP BARS(1 DRIVER SIDE; 1 PASSENGER SIDE)
2	FRONT MOUNT BRACKETS
2	REAR MOUNT BRACKETS
4	MOUNT BRACE
4	BOLT PLATE
4	POLY RETAINER
4	M12-1.75 X 120mm HEX BOLT
4	1/2-13X 1 3/4" HEX BOLT
8	1/2" FLAT WASHER
8	1/2" LOCK WASHER
4	3/8~16X 1 1/4" HEX BOLT
12	3/8" FLAT WASHER
8	3/8" LOCK WASHER
8	3/8~16 HEX NUT
4	1/2" X 1.9" X 3/16" SPACE WASHER

**STEPS INSTALLATION**

- CHECK CONTENTS OF BOX FOR DAMAGE OR MISSING ITEMS.
- REMOVE DRIVER SIDE FRONT BODY MOUNT (UNDER CAB). INSTALL FRONT MOUNT BRACKET USING (1) M12-1.75X 120mm HEX BOLT · (1) 1/2" LOCK WASHER · (1) 1/2" FLAT WASHER WITH 1.9" SPACER WASHER ABOVE BRACKET. HAND TIGHTEN. PLACE RUBBER BUSHING ON TOP OF STAINLESS STEEL MOUNTING BRACKET WHEN INSTALLING BRACKET.
- REMOVE REAR BODY MOUNT BOLT. INSTALL REAR MOUNT BRACKET USING (1) M12-1.75 X 120 mm HEX BOLT · (1) 1/2" LOCK WASHER AND (1) 1/2" FLAT WASHER. HAND TIGHTEN. PLACE RUBBER BUSHING ON TOP OF STAINLESS STEEL MOUNTING BRACKET WHEN INSTALLING BRACKET.
- POSITION 3/8" BOLT PLATE ASSEMBLY IN SLOT OF INNER PANEL AND ROTATE 90 DEGREES SO TAB IS PERPENDICULAR TO THE LENGTH OF THE SLOT. SECURE BOLT PLATE WITH POLY RETAINER. ATTACH BRACE TO MOUNTING BRACKET AND INNER PANEL USING (1) 3/8" BOLT (3) 3/8" FLAT WASHER (2) 3/8" LOCK WASHER (2) 3/8" HEX NUT. HAND TIGHTEN. REPEAT FOR EACH BRACE/BRACKET ASSEMBLY.
- ATTACH STEP BAR TUBE TO MOUNT BRACKETS USING (1) 1/2" -13X 2" AND 1 3/4" HEX BOLT (1) 1/2" LOCK WASHER (1) 1/2" FLAT WASHER. ALIGN THE STEP BAR WITH THE VEHICLE AND TIGHTEN M12 AND 1/2" FASTENERS TO 65 FT. LBS AND 3/8" FASTENERS TO 30 FT. LBS. REPEAT ON PASSENGER SIDE. NOTE : LONGER LEG OF STEP BAR GOES TO THE **REAR** OF THE VEHICLE.

PART# 76-2065B

**FIGURE 1**  
DRIVER SIDE INSTALLATION SHOWN , PASSENGER OPPOSITE



**NASTA**<sup>®</sup>

NASTA INTERNATIONAL, INC.  
Div. of **TA CHEN** INT'L CORP.  
5 Boswell Bristol, TN 37620 U.S.A  
TEL: (423) 764-0700. FAX: (423) 764-7849. Toll Free (877) 891-0816  
[www.nastainternational.com](http://www.nastainternational.com)