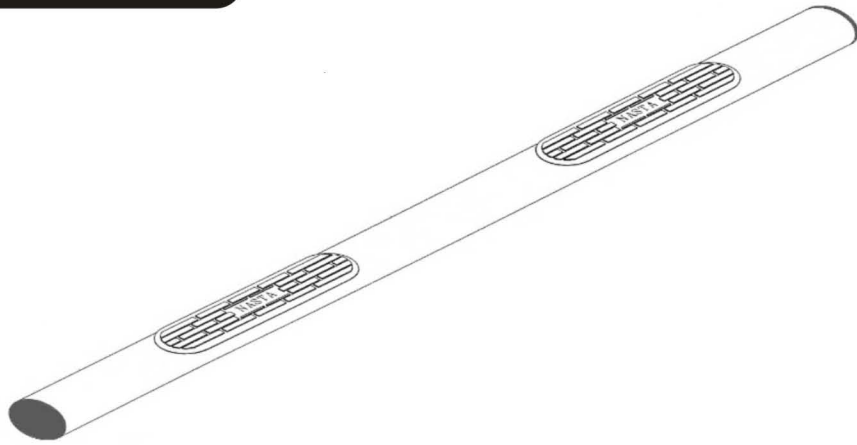


PART#33-30450



TOOLS NEEDED

9/16" SOCKET	RATCHET	9/16" WRENCH
M6 HEX WRENCH		

QTY	DESCRIPTION
2	STAINLESS OVAL TUBE STEP BAR (1 DRIVER ; 1 PASSENGER)
4	STAINLESS MOUNTING BRACKET
8	STAINLESS M10XP1.5-25mm BUTTON HEAD CAP SCREW
8	STAINLESS 5/16"-18UNC*1 1/4"L HEX HEAD BOLT
8	STAINLESS 5/16"-18UNC*1"L HEX HEAD BOLT
8	STAINLESS 3/8" LOCK WASHER
8	STAINLESS 3/8" FLAT WASHER
16	STAINLESS 5/16" LOCK WASHER
24	STAINLESS 5/16" FLAT WASHER
8	STAINLESS 5/16-18UNC HEX HEAD NUT
8	GALVANIZING 5/16" NUT-CLIP

STEPS INSTALLATION

- 1 CHECK CONTENTS OF BOX FOR DAMAGE OR MISSING PARTS.
- 2 REMOVE PLUGS ON INSIDE ROCKER PANEL AND INSTALL NUT CLIPS.
- 3 INSTALL FRONT AND REAR BRACKETS.HAND TIGHTEN.
- 4 ATTACH TUBE TO BRACKETS. HAND TIGHTEN.
- 5 MAKE SURE STE BAR AND BRACKETS ARE PROPERLY ALIGNED.
- 6 TIGHTEN ALL HARDWARE.

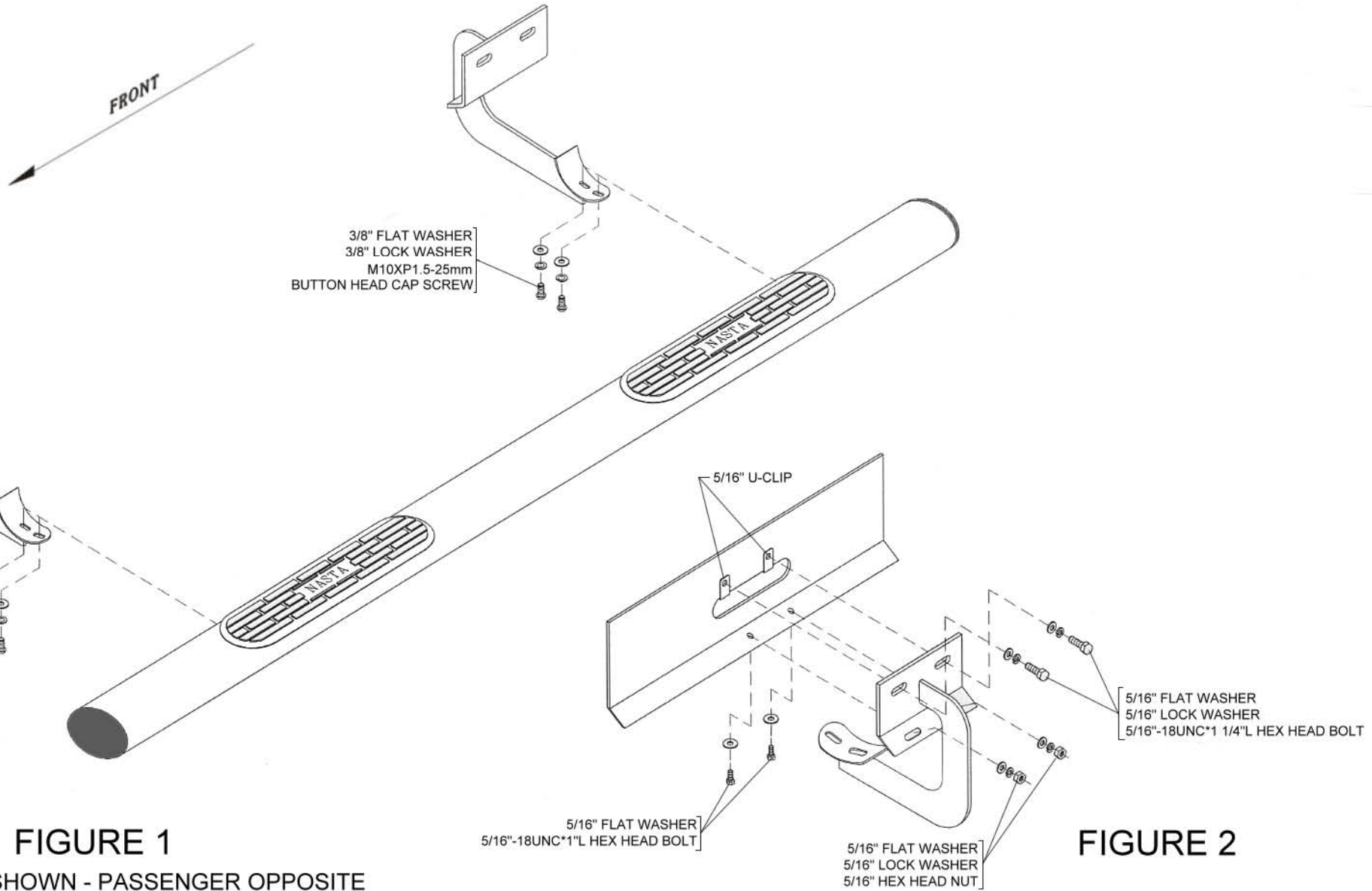
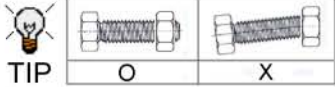


FIGURE 1

DRIVER SIDE SHOWN - PASSENGER OPPOSITE

FIGURE 2



NASTA INTERNATIONAL, INC.
Div. of **TA CHEN** INT'L CORP.
5 Boswell Bristol, TN 37620 U.S.A

TEL:(423)764-0700.FAX(423)764-7849.Toll Free(877)891-0816
www.nastainternational.com